



Indoor Floor Standing Kiosks and Advertising Displays

www.lamasatech.com

in f 



Overview

Plug & Play

Connect power and download your content or application via USB, or pair your display with our digital signage platform to control your content remotely

Non-touch or Touch Screen

Choose a passive non-touch display for advertising and signage, or upgrade to an interactive PCAP touch screen

4mm Toughened Glass

Built to last in high traffic public environments and protects against damage

Built-in Player

Integrated media player with Android OS to run your content or application. Alternatively, add your own NOC player within the secure internal locker

55" Screen

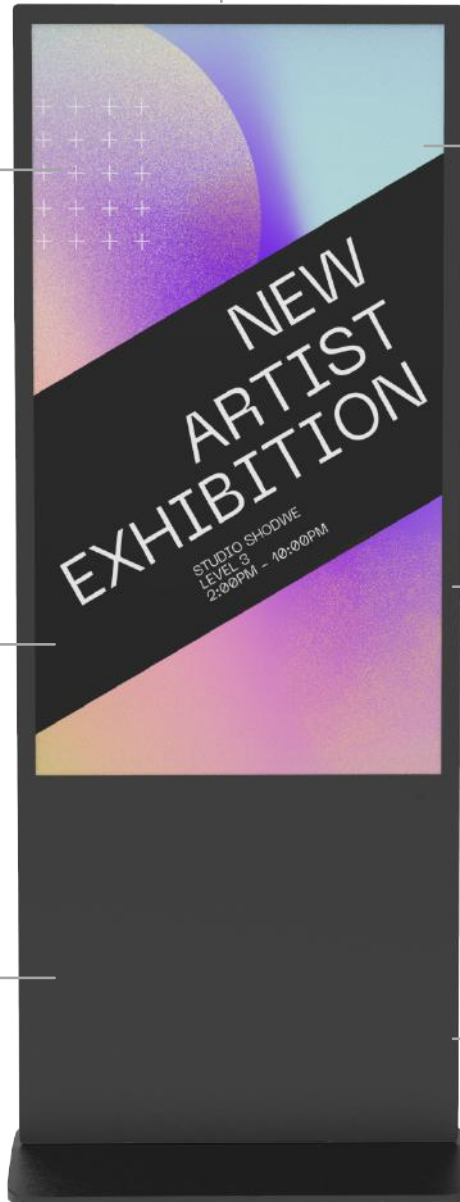
The striking 55" display with full HD resolution is perfect for a range of environments

Vandal Proof

Thick steel enclosure with all controls hidden to the public to prevent damage and tampering

Long Life

Designed to run 24/7 with a long lifespan of over 50,000 continuous hours



Overview

The Guida kiosk is a sleek and slimline floor standing totem designed for indoor advertising and signage. It will:

- ✔ Boost your advertising reach
- ✔ Increase footfall and sales
- ✔ Inform and engage your target audience

It's the perfect digital signage display for retail stores, shopping malls, restaurants, universities, museum and culture venues, airports and events.

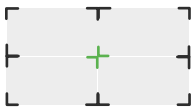
Upgrade to the PCAP option to transform your space with an interactive, touchscreen display.





The model pictured is a previous Guida model. The current model has a black frame and base.

Features



55" Screen Size

The commercial grade 55" LCD panel is eye-catching and impressive in a range of environments. 43" and 65" models are available for custom orders.



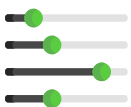
3-year warranty

The Guida Standing Kiosk is provided with a standard 3-year warranty included for your peace of mind.



Built to last

Designed to run 24/7, these displays are manufactured with commercial-grade components and have a lifespan of over 50,000 hours.



Customisation

The Guida is designed to meet a range of requirements. Customisation options include shell colour, logo branding and built-in components such as RFID reader or camera.



Plug & play

Connect power and download your content or application in minutes via USB, or pair your display with our digital signage platform to publish and control your content remotely.



Cost effective

The Guida model is a cost-effective digital signage display and offers a low total cost of ownership.

The model pictured is a previous Guida model. The current model has a black frame and base.



Specifications

Model	Guida Android Freestanding Digital Advertising Display
Screen sizes	Non-touch: 55", 43"*, 65"* Touch: 55", 65"* *43" and 65" models are available on request for custom orders only.
Display resolutions	43" - 55": Full HD 1920x1080px 65" : 4K UHD 3840x2160px
Brightness	400cd/m ²
Contrast ratio	3000:1
Aspect ratio	16:9 (portrait)
Response time	8ms
Viewing angles	178° V / 178° H
Built in player	Quad Core Android RK3288
OS	Android 7.1
Built in speakers	5W Stereo
AV connection (Internal)	HDMI, USB, 3.5mm Audio Jack
Network connection	RJ45 Ethernet, WiFi 802.11b/g/n
Input power	AC 100-240V, 50/60Hz
Power consumption	170W - 220W
Standby consumption	<5W
Operating temperature	0°C - 50°C
Operating humidity	10% - 90%

Shell material	1.5mm MR Steel, Brushed Aluminium Frame Edging
Glass material	4mm toughened glass
Operating life	>50,000hrs
Supplied accessories	IEC Power lead, Keys, Remote
Optional extras	<ul style="list-style-type: none"> Built-in PCAP Touch Screen Built-in RFID / NFC Reader Built-in HD Camera Upgrade PC to i3, i5 or i7 Processor Custom Branding (Colour & Logo)

Product codes

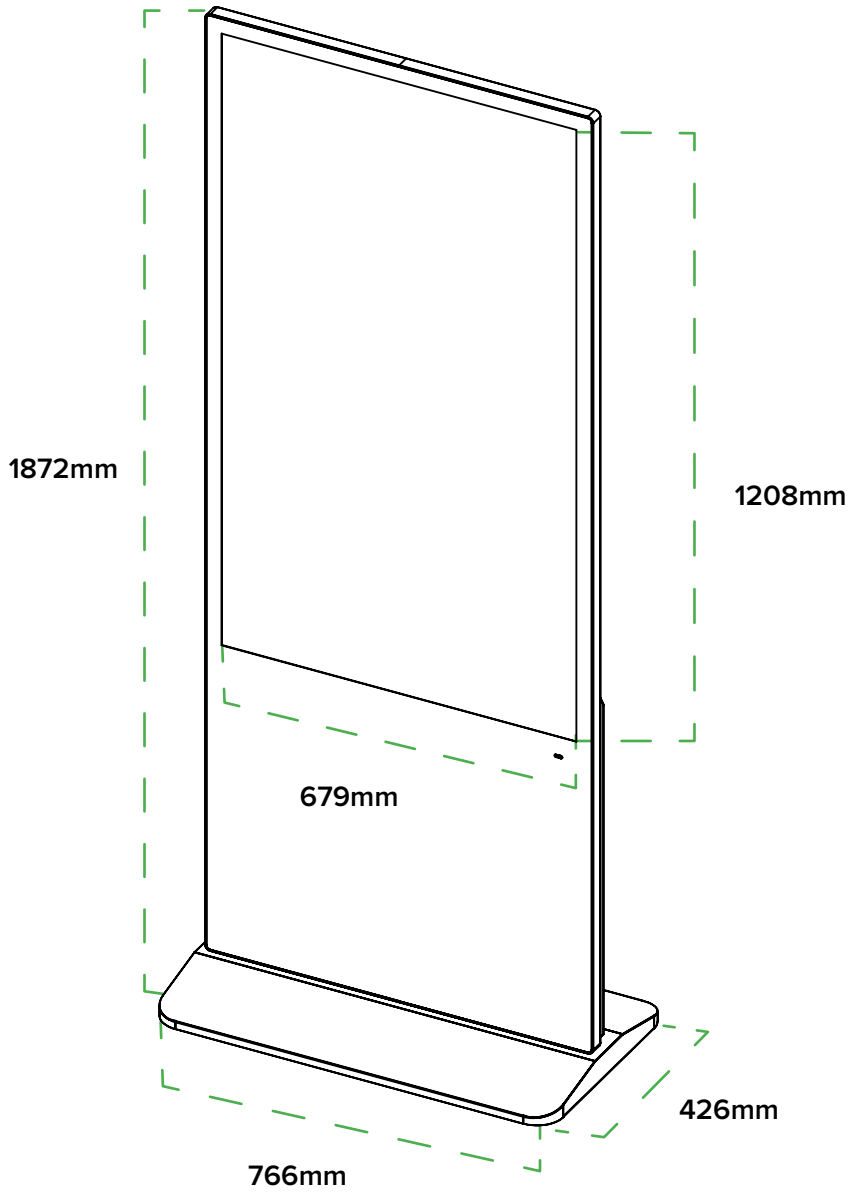
**Guida Android Freestanding
Digital Advertising Display**

LT-Guida55_AND_ID
 LT-Guida43_AND_ID
 LT-Guida65_AND_ID

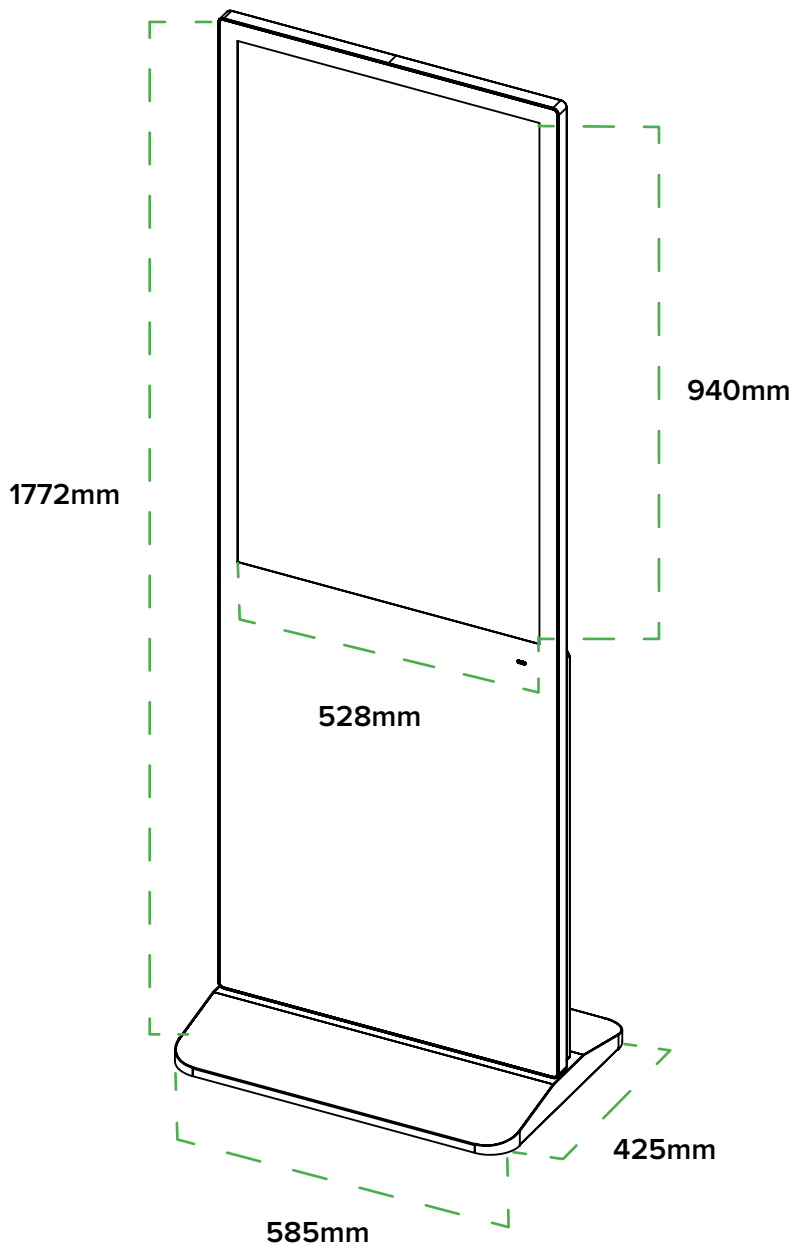
**Guida Android Freestanding
PCAP Touch Screen Display**

LT-Guida55_AND_ID_PT
 LT-Guida65_AND_ID_PT

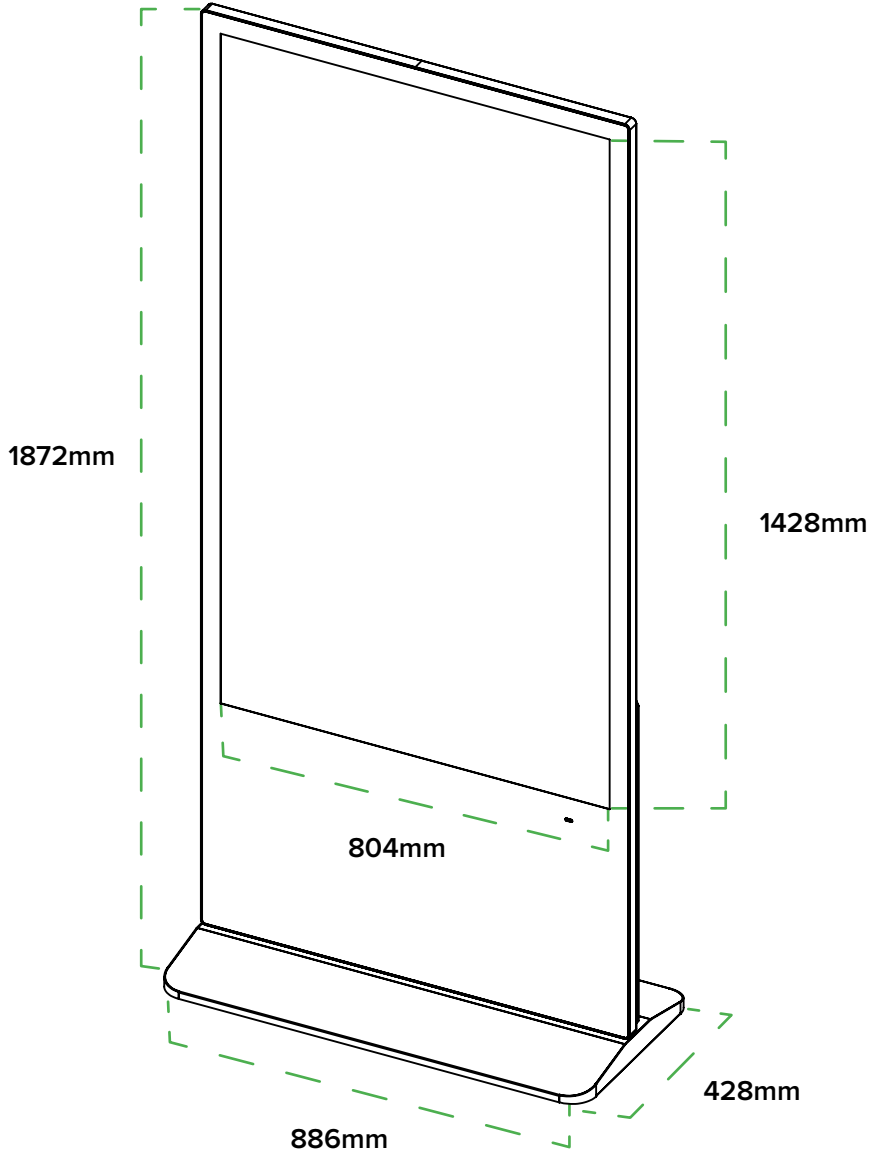
Technical drawings - 55" model



Technical drawings - 43" model



Technical drawings - 65" model



More technology solutions from LamasaTech...

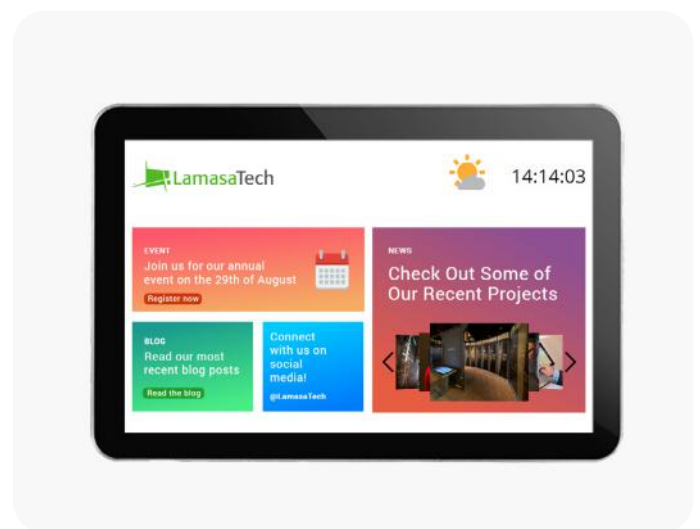
Video walls



Visitor and employee sign-in kiosk



Digital signage platform



For more information on the products we offer please visit www.lamasatech.com



Contact us

UK: +44 (0) 191 341 0016

US: +1 (805) 308-9623

hello@lomasatech.com

lomasatech.com