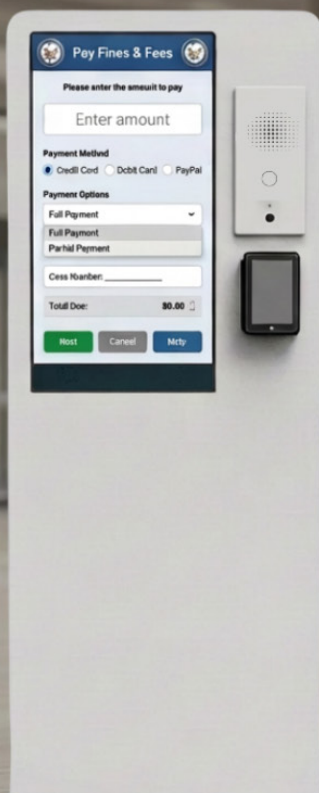




## Zentron 21 Outdoor Touchscreen display

[www.lamasatech.com](http://www.lamasatech.com)

in f X



# Weatherproof IP66-rated interactive display

## Integrated camera, microphone and waterproof speaker system

Experience visual customer service with the integrated binocular camera, advanced noise-cancelling and echo-cancelling microphone and waterproof speaker system that makes every remote interaction feel personal.

### Brightness Sensor

The brightness sensor automatically adapts the screen brightness according to the conditions for an optimal viewing experience.

### Anti-glare, toughened glass

The toughened glass is resistant to glare from natural and artificial lighting and is designed to withstand damage in public environments.

### Weather-proof

The IP66-rated display is built to be protected from the elements, for consistent performance in varying weather conditions.

### Multi-format scanning

Equipped with an integrated QR code and barcode scanner as well as an RFID reader, this touchscreen display streamlines transactions - ensuring swift, seamless self-service for every user.

### 3-year warranty

Built to last, the displays have a 3-year warranty included for your peace of mind.



# Elevate your customer experience with outdoor screens

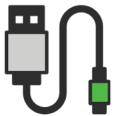
---

Built to withstand diverse environments, the Zentron 21 serves as a versatile interactive display that excels both indoors and outdoors. From streamlining parking payments to paying fines at public buildings to simplifying restaurant orders, its robust design and intuitive interface make it ideal for high-traffic locations where reliability and user experience are paramount.



## Touch screen

The responsive PCAP touch screen transforms your information point into an interactive experience, allowing visitors to navigate your self service display with ease.



## Connect accessories

Boasting several USB ports, the Zentron 21 suits a range of requirements, allowing expansion with accessories such as printing and payment terminals.



## Robust components

Manufactured to the highest standards with commercial-grade components, the Zentron is designed to run seamlessly 24/7 with an average lifespan of over 50,000 hours.



## 3-year warranty

The Zentron 21 is provided with a standard 3-year warranty included for your peace of mind.

# Specifications

|                     |                              |   |
|---------------------|------------------------------|---|
| <b>Model</b>        | <b>Zentron 21</b>            |   |
| <b>Display</b>      | <b>Screen size</b>           | 21.5"   |
|                     | <b>Display resolution</b>    | 1920x1080   |
|                     | <b>Viewing angles</b>        | 178° V / 178° H   |
|                     | <b>Colour depth</b>          | 16.7M   |
|                     | <b>Contrast ratio</b>        | 1200:1  |
|                     | <b>Brightness</b>            | 1500 cd/m <sup>2</sup>  |
|                     | <b>Response time</b>         | 6ms   |
|                     | <b>Lifespan</b>              | 50,000 hours plus   |
|                     | <b>Operation hours</b>       | 16:9  |
|                     | <b>Built-in player</b>       | <b>Operating system</b>   |
| <b>Media format</b> |                              | Video - MP4, MPG, AVI, RM, RMVB<br>TS Image - BMP, JPEG, PNG, GIF |
| <b>Power</b>        | <b>Input voltage</b>         | DC 24V  |
|                     | <b>Power consumption</b>     | ≤70W  |
|                     | <b>Operating temperature</b> | -10°C ~ 50°C / 14°F ~ 122°F                                       |
|                     | <b>Storage temperature</b>   | -20°C ~ 60°C / -4°F ~ 140°F                                       |

|                        |                           |   |
|------------------------|---------------------------|---|
| <b>Mechanical spec</b> | <b>Operation humidity</b> | 10 ~ 90%  |
|                        | <b>Storage humidity</b>   | 10 ~ 90%  |
|                        | <b>Net weight</b>         | 8kg / 18lbs   |
|                        | <b>Gross weight</b>       | 9kg / 20lbs   |
|                        | <b>Protection glass</b>   | Toughened glass AG treated  |
|                        | <b>Touch screen</b>       | 10 point PCAP touch screen  |
| <b>Components</b>      | <b>Brightness sensor</b>  | Built-in automatic sensor   |
|                        | <b>Binocular camera</b>   | 1 x 5MP   |
|                        | <b>HID camera</b>         | 1   |
|                        | <b>QR reader</b>          | 1   |
|                        | <b>Microphone</b>         | 1 - noise and echo-cancelling   |
|                        | <b>Front speakers</b>     | 5W x 2  |
| <b>Other</b>           | <b>Available ports</b>    | USB x 2, RJ45 x 1, RS485 x 1, Weigen output x 1, Weigen input x 1, Relay output x 1, Uboot button x 1 |

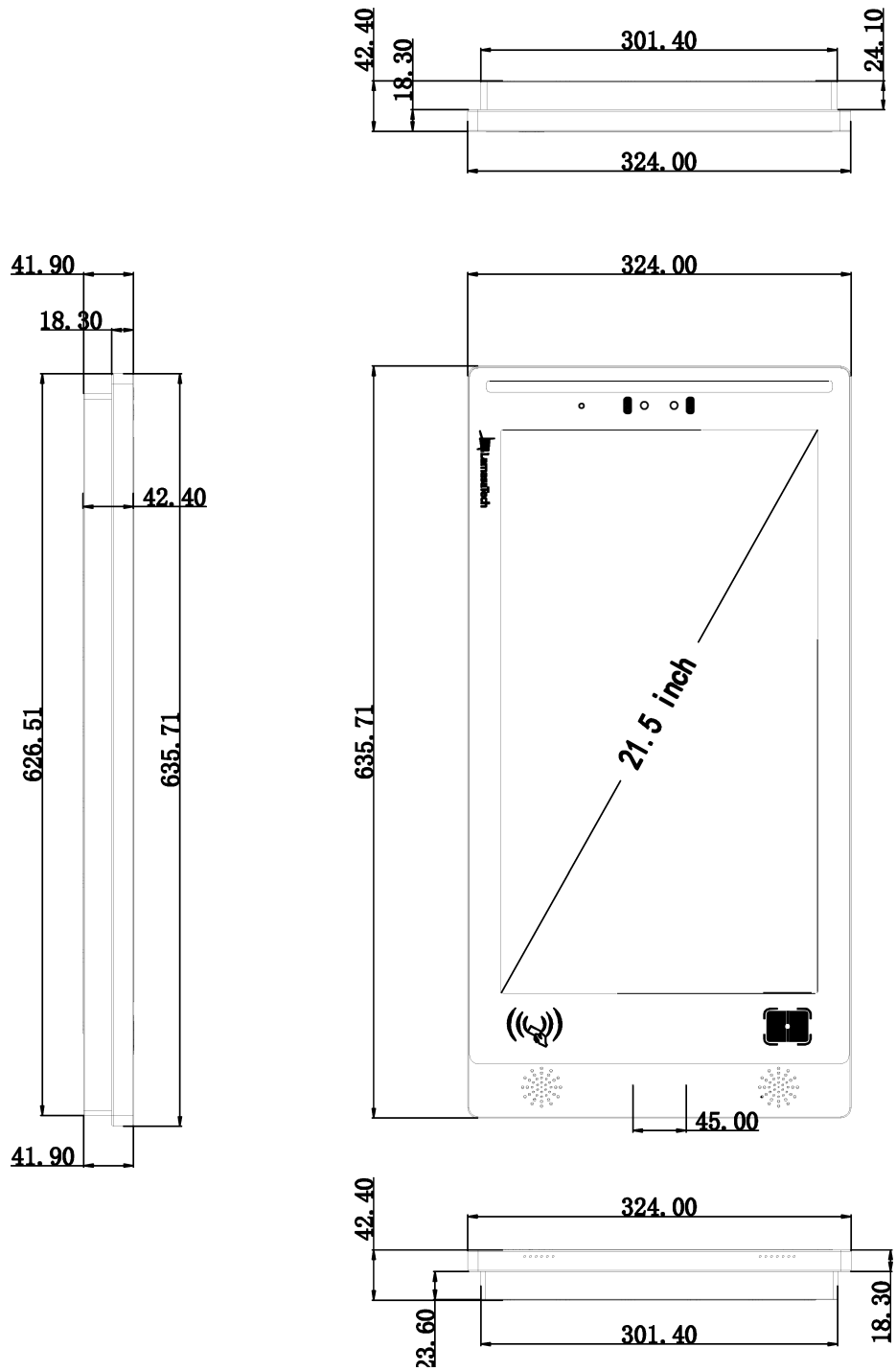
## Product codes

**Zentron 21 Outdoor Touch  
Display**

LT-Zentron21

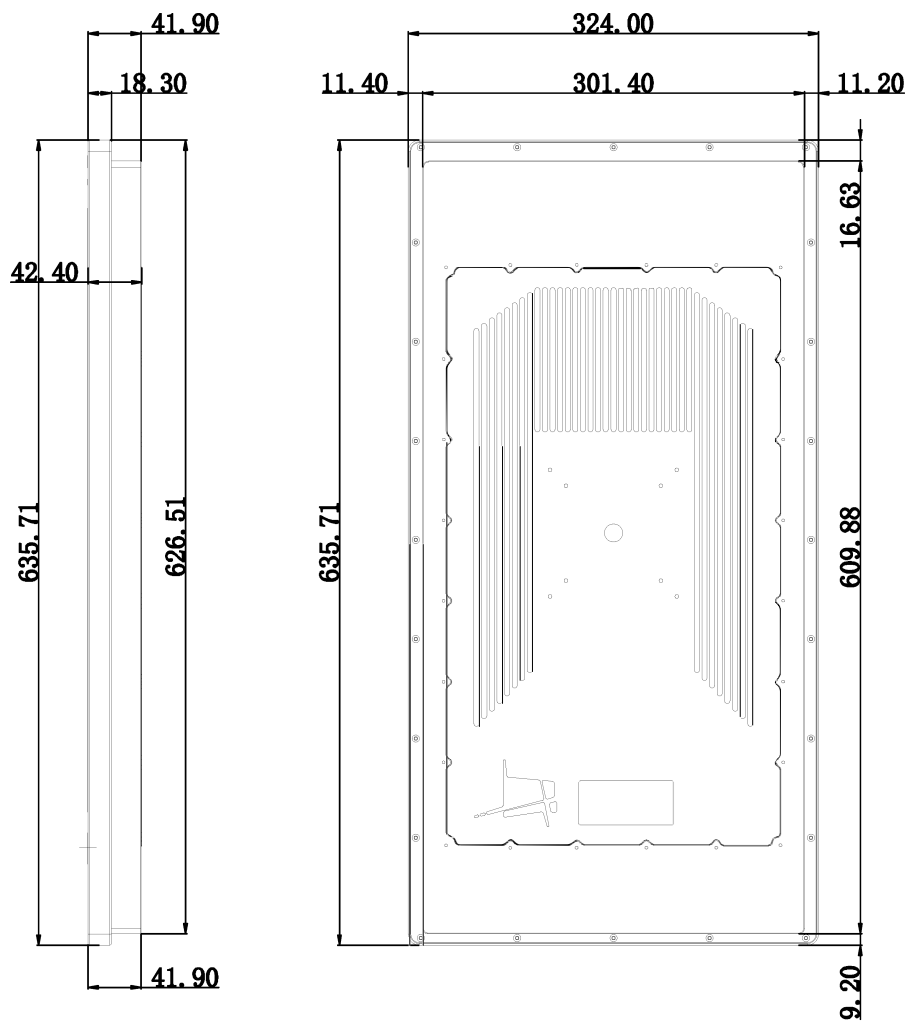
# Technical drawings - 21" Display

All measurements specified are in mm.



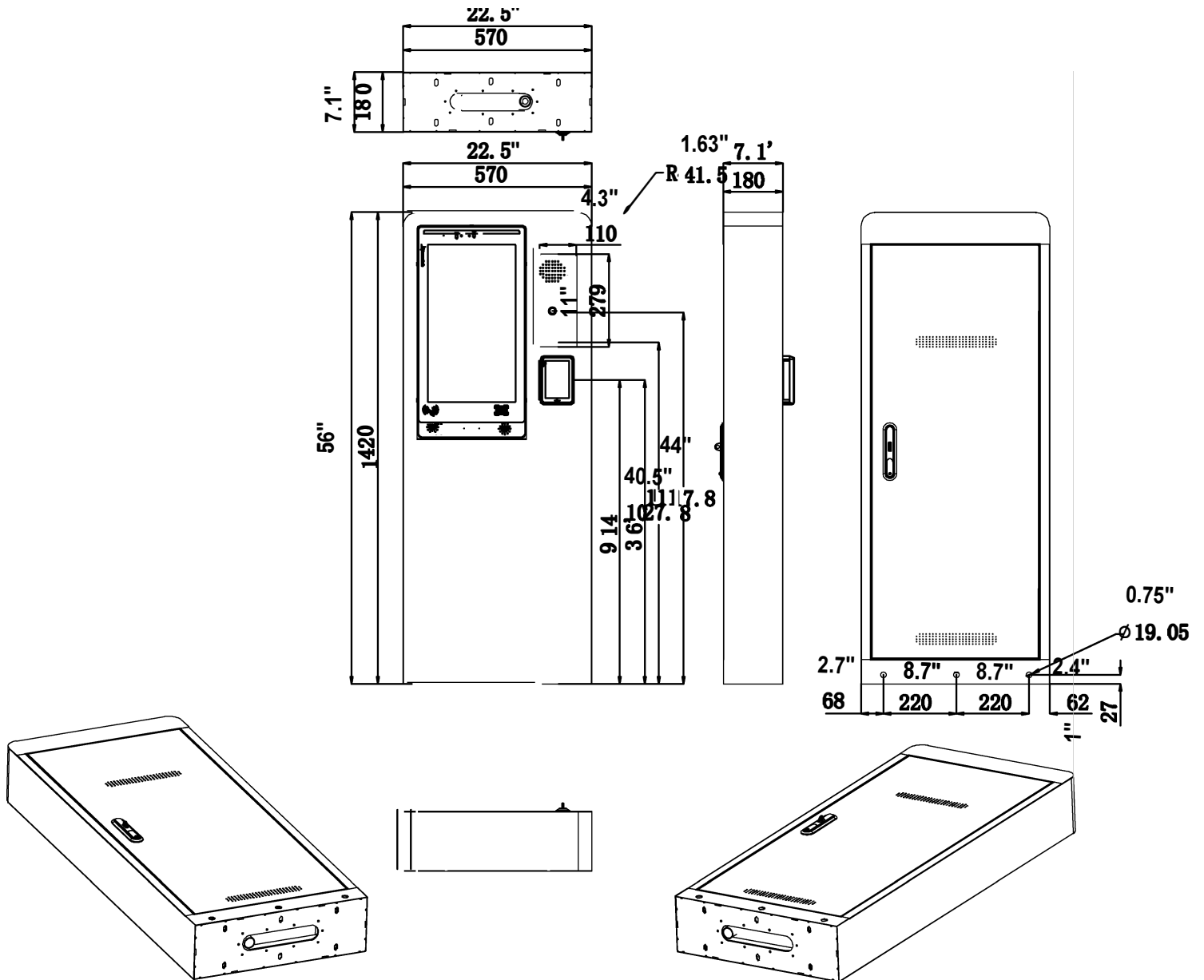
# Technical drawings - 21" display

All measurements specified are in mm.



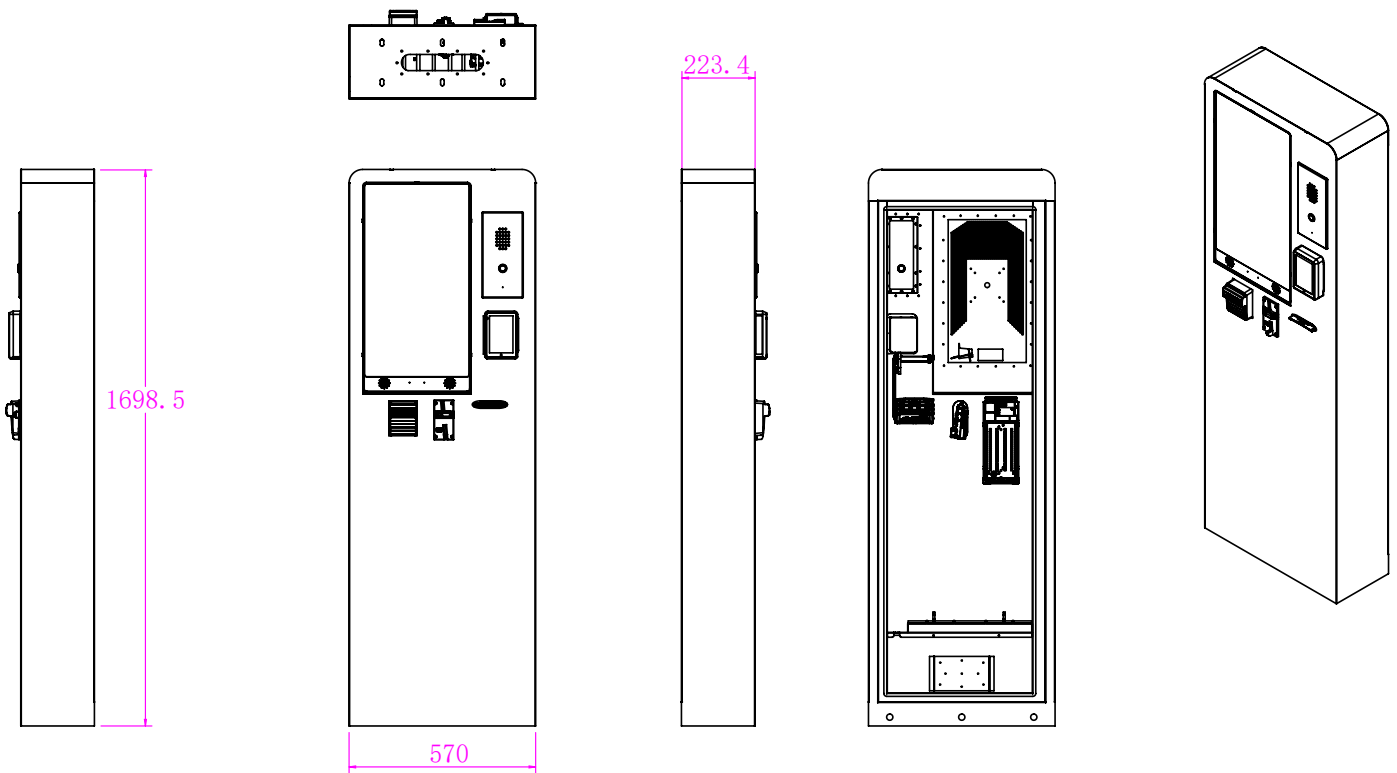
# Technical drawings - Zentron 21" Payment Post with IM30 Payment Terminal & Optional Intercom Plate

All measurements specified are in mm.



# Technical drawings - Zentron 21" full length enclosure with cash acceptor and printer

All measurements specified are in mm.



# More technology solutions from LamasaTech...

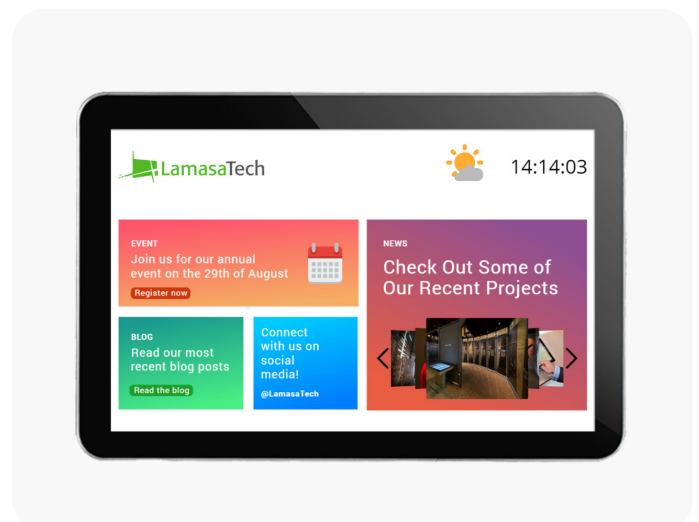
## Video walls



## Visitor sign-in kiosks



## Digital signage platform



For more information on our digital solutions please visit [www.lamasatech.com](http://www.lamasatech.com)



## Contact us

---

UK: +44 (0) 191 622 0725

US: +1 (805) 308-9623

[hello@lomasatech.com](mailto:hello@lomasatech.com)

[lomasatech.com](http://lomasatech.com)